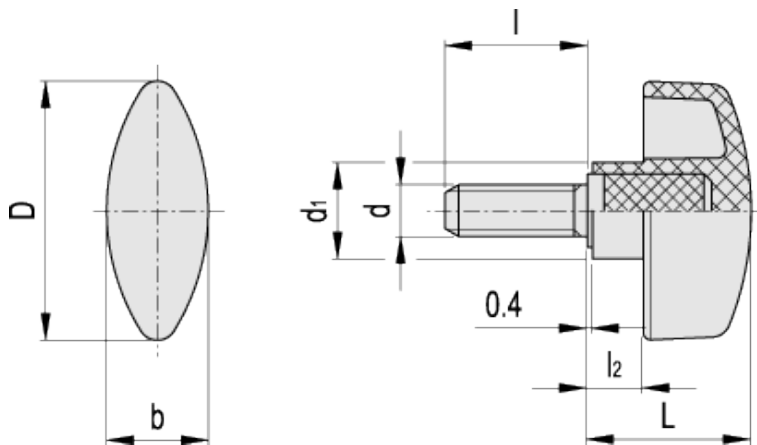


CTL.476 p

Wing knobs



ELESA Original design



technical informations

Material

Glass-fibre reinforced polyamide based (PA) technopolymer. Resistant to solvents, oils, greases and other chemical agents.

Colour

Black, matte finish.

Standard execution

Zinc-plated steel threaded stud, chamfered flat end according to UNI 947 : ISO 4753 (see [Technical Data](#)).

Features and applications

These wing knobs allow high tightening torque values. Moreover, the elongated hub makes the grip easier.

| Standard Elements | | Main dimensions | | | | | Threaded stud | | Weight |
|-------------------|-------------|-----------------|---|---|----------------|----------------|-----------------|---|--------|
| Code | Description | D | L | b | d ₁ | l ₂ | d _{6g} | l | g |

| | | | | | | | | | |
|------|---------------------|----|------|------|------|-----|-----|----|----|
| 8721 | CTL.476/30 p-M6x10 | 32 | 20 | 13 | 11 | 5.5 | M6 | 10 | 9 |
| 8722 | CTL.476/30 p-M6x16 | 32 | 20 | 13 | 11 | 5.5 | M6 | 16 | 11 |
| 8723 | CTL.476/30 p-M6x20 | 32 | 20 | 13 | 11 | 5.5 | M6 | 20 | 13 |
| 8751 | CTL.476/40 p-M8x16 | 40 | 24.5 | 15.5 | 14 | 7.5 | M8 | 16 | 16 |
| 8753 | CTL.476/40 p-M8x25 | 40 | 24.5 | 15.5 | 14 | 7.5 | M8 | 25 | 19 |
| 8781 | CTL.476/48 p-M8x16 | 48 | 28 | 19 | 17 | 9 | M8 | 16 | 21 |
| 8783 | CTL.476/48 p-M8x25 | 48 | 28 | 19 | 17 | 9 | M8 | 25 | 27 |
| 8811 | CTL.476/56 p-M10x20 | 56 | 34 | 21 | 18.5 | 11 | M10 | 20 | 29 |
| 8813 | CTL.476/56 p-M10x30 | 56 | 34 | 21 | 18.5 | 11 | M10 | 30 | 35 |



ELESA and GANTER models all rights reserved in accordance with the law. Always mention the source when reproducing our drawings.

STANDARD MACHINE ELEMENTS WORLDWIDE